



The next generation of white light

MasterColor CDM-T Elite Med Wattage

The Philips MasterColor Elite MW system offers an unrivalled level of light quality and performance. The lamp's sparkling white light creates a natural ambience and really brings out the best in all different types of colors. In addition, the high efficiency of the lamp and ballast together means reduced energy use and a lower cost of ownership compared to a 400W Metal Halide HID system.

Benefits

- Excellent color rendering of 90+ CRI.
- Philips "Green Flagship Product" - Low mercury, no lead.
- New socket design provides higher optical efficiency.

Features

- Significant upgrade opportunity over traditional HID systems.
- Viable alternative to fluorescent options.
- Excellent color quality and consistent light output from beginning to end.
- Being 50% smaller than traditional metal halide lamps, MasterColor CDM Elite MW gives freedom in optic and luminaire design.
- Sparkling properties of white light create a more natural and inviting ambience.
- 210 & 315 Watt, 3000 & 4200 color versions. Each powered by a Philips Advance e-Vision electronic ballast.

Application

- Ideal for architectural facade lighting, illumination of pedestrian areas, indoor retail outlets, warehouses, manufacturing facilities.

PHILIPS

Warnings and Safety

- R "WARNING: These lamps can cause serious skin burn and eye inflammation from short wave ultraviolet radiation if outer envelope of the lamp is broken or punctured. Do not use where people will remain for more than a few minutes unless adequate shielding or

other safety precautions are used. Certain lamps that will automatically extinguish when the outer envelope is broken or punctured are commercially available." This lamp complies with FDA radiation performance standard 21 CFR subchapter J. (USA:21 CFR 1040.30 Canada: SOR/DORS/80-381)

Related products

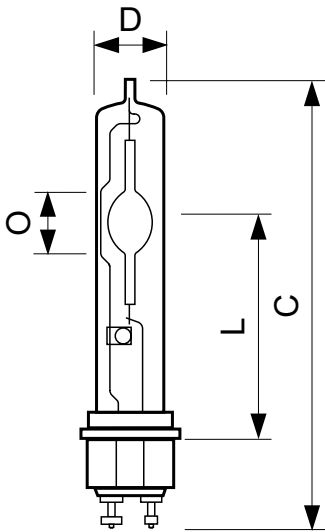


PGZ18, T9 (TMW28), Clear



PGZX18., T12, Clear, Protected

Dimensional drawing



PGZX18/PGZX18., T12/TMW28

CDM TMW 210W/942 PGZX18. U P

Product	D	D	C
CDM T12 ELITE 210W/942/U/O NA	1.5 in	38 mm	193 mm
CDM T12 ELITE 210W/942/U/O EU	1.5 in	38 mm	193 mm

General Information

order code	Bulb Shape	Cap-Base	Life To 10% Failures (Nom)	Life To 50% Failures (Nom)	Life To 5% Failures (Nom)	Operating Position
928601164602	TMW28	PGZ18	16000	30000	12500	UNIVERSAL
928601164631	TMW28	PGZ18	16000	30000	12500	UNIVERSAL
928601164702	TMW28	PGZ18	16000	30000	12500	UNIVERSAL
928601164731	TMW28	PGZ18	16000	30000	12500	UNIVERSAL
928601164802	TMW28	PGZ18	16000	30000	12500	UNIVERSAL
928601164831	TMW28	PGZ18	16000	30000	12500	UNIVERSAL
928601164902	TMW28	PGZ18	16000	30000	12500	UNIVERSAL

order code	Bulb Shape	Cap-Base	Life To 10% Failures (Nom)	Life To 50% Failures (Nom)	Life To 5% Failures (Nom)	Operating Position
928601167002	T12	PGZX18.	12000	30000	10000	UNIVERSAL
928601167031	T12	PGZX18.	12000	30000	10000	UNIVERSAL
928601167102	T12	PGZX18.	12000	30000	10000	UNIVERSAL
928601167131	T12	PGZX18.	12000	30000	10000	UNIVERSAL
928601167202	T12	PGZX18.	12000	30000	10000	UNIVERSAL
928601167231	T12	PGZX18.	12000	30000	10000	UNIVERSAL
928601167302	T12	PGZX18.	12000	30000	10000	UNIVERSAL
928601167331	T12	PGZX18.	12000	30000	10000	UNIVERSAL

Light Technical (1/3)

order code	Chromaticity Coordinate X (Nom)	Chromaticity Coordinate Y (Nom)	Color Code	Color Designation	Correlated Color Temperature (Max)	Correlated Color Temperature (Min)	Correlated Color Temperature (Nom)	Color Rendering Index (Min)	Color Rendering Index (Nom)	Lumen Maintenance 10000 h (Nom)
928601164602	0.429	0.398	930	Warm White (WW)	-	-	3090	87	90	90
928601164631	0.429	0.398	930	Warm White (WW)	-	-	3090	87	90	90
928601164702	0.438	0.399	930	Warm White (WW)	-	-	2940	87	90	91
928601164731	0.438	0.399	930	Warm White (WW)	-	-	2940	87	90	91
928601164802	0.376	0.379	942	Cool White (CW)	-	-	4140	90	93	86
928601164831	0.376	0.379	942	Cool White (CW)	-	-	4140	90	93	86
928601164902	0.381	0.374	942	Cool White (CW)	-	-	3960	89	92	91
928601167002	0.438	0.399	930	Warm White (WW)	-	-	2940	87	90	84
928601167031	0.438	0.399	930	Warm White (WW)	-	-	2940	87	90	84
928601167102	0.429	0.398	930	Warm White (WW)	-	-	3090	87	90	87
928601167131	0.429	0.398	930	Warm White (WW)	-	-	3090	87	90	87
928601167202	0.381	0.374	942	Cool White (CW)	-	-	3960	89	92	91
928601167231	0.381	0.374	942	Cool White (CW)	-	-	3960	89	92	91
928601167302	0.376	0.379	942	Cool White (CW)	-	-	4140	87	90	93
928601167331	0.376	0.379	942	Cool White (CW)	-	-	4140	87	90	93

Light Technical (2/3)

order code	Lumen Maintenance - 10% Life	Lumen Maintenance 12000 h (Nom)	Lumen Maintenance 2000 h (Nom)	Lumen Maintenance 20000 h	Lumen Maintenance - 40% Life	Lumen Maintenance 5000 h (Nom)	Luminous Efficacy (rated) (Min)	Luminous Efficacy (rated) (Nom)	Design Mean Lumens	Luminous Flux (Rated) (Min)
928601164602	96	89	99	80	89	96	112	120	34440	35280
928601164631	96	89	99	80	89	96	112	120	34440	35280
928601164702	96	90	98	81	90	93	105	115	21735	22050
928601164731	96	90	98	81	90	93	105	115	21735	22050
928601164802	96	82	98	81	82	94	105	113	31150	33100
928601164831	96	82	98	81	82	94	105	113	31150	33100

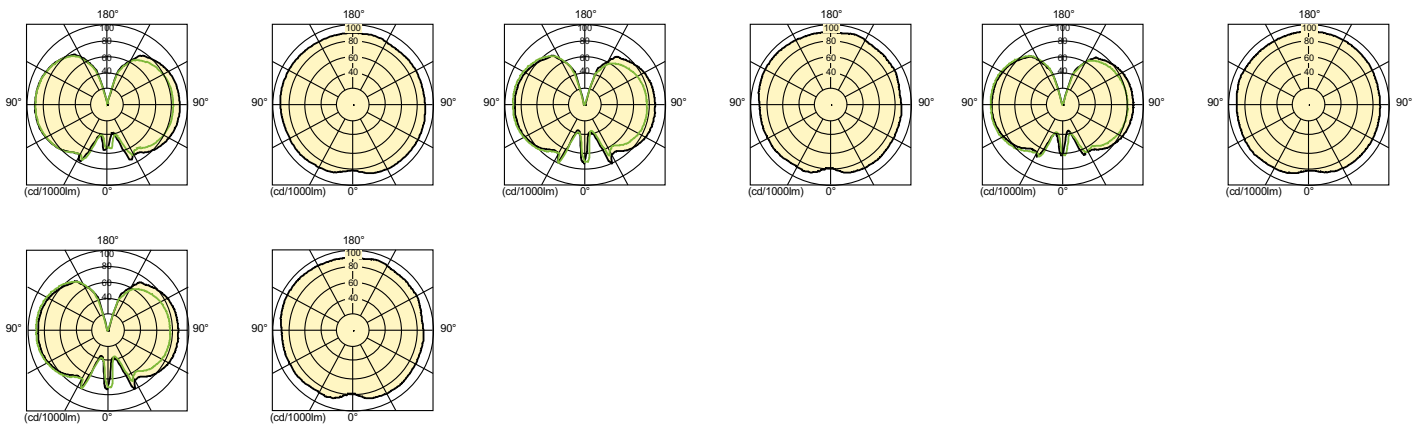
order code	Lumen Maintenance - 10% Life	Lumen Maintenance 12000 h (Nom)	Lumen Maintenance 2000 h (Nom)	Lumen Maintenance 20000 h	Lumen Maintenance - 40% Life	Lumen Maintenance 5000 h (Nom)	Luminous Efficacy (rated) (Min)	Luminous Efficacy (rated) (Nom)	Design Mean Lumens	Luminous Flux (Rated) (Min)
928601164902	95	90	98	80	90	94	98	108	20470	21000
928601167002	98	78	98	-	88	91	101	111	21600	21200
928601167031	98	78	98	-	88	91	101	111	21600	21200
928601167102	98	83	98	80	87	89	105	115	31500	33100
928601167131	98	83	98	80	87	89	105	115	31500	33100
928601167202	98	91	98	80	92	93	98	108	20500	20600
928601167231	98	91	98	80	92	93	98	108	20500	20600
928601167302	97	91	97	80	95	96	99	109	30780	31200
928601167331	97	91	97	80	95	96	99	109	30780	31200

Light Technical (3/3)

order code	Luminous Flux (Rated) (Nom)
928601164602	38700
928601164631	38700
928601164702	24150
928601164731	24150
928601164802	35500
928601164831	35500
928601164902	23000
928601167002	23300

order code	Luminous Flux (Rated) (Nom)
928601167031	23300
928601167102	36200
928601167131	36200
928601167202	22800
928601167231	22800
928601167302	34300
928601167331	34300

Light technical



Operating and Electrical

order code	Voltage (Max)	Voltage (Min)	Voltage (Nom)	Power (Rated) (Nom)	Re-Ignition Time (Min) (Max)
928601164602	115	90	100	315.0	10
928601164631	115	90	100	315.0	10

order code	Voltage (Max)	Voltage (Min)	Voltage (Nom)	Power (Rated) (Nom)	Re-Ignition Time (Min) (Max)
928601164702	115	90	100	210.0	10
928601164731	115	90	100	210.0	10

Approval and Application

order code	Voltage (Max)	Voltage (Min)	Voltage (Nom)	Power (Rated) (Nom)	Re-Ignition Time (Min) (Max)
928601164802	115	85	100	315.0	10
928601164831	115	85	100	315.0	10
928601164902	115	90	98	210.0	10
928601167002	115	90	100	210.0	10
928601167031	115	90	100	210.0	10
928601167102	115	90	100	315.0	10
928601167131	115	90	100	315.0	10
928601167202	120	90	105	210.0	10
928601167231	120	90	105	210.0	10
928601167302	115	90	100	315.0	10
928601167331	115	90	100	315.0	10

order code	Energy Consumption kWh/1000 h	Energy Efficiency Label (EEL)	Mercury (Hg) Content (Max)	Picogram Per Lumen Hour
928601164602	346	A+	28	27.1
928601164631	346	A+	28	27.1
928601164702	231	A+	24.5	40.4
928601164731	231	A+	24.5	40.4
928601164802	346	A+	24	25
928601164831	346	A+	24	25
928601164902	231	A+	25	40.3
928601167002	231	A+	24.5	53
928601167031	231	A+	24.5	53
928601167102	346	A+	28	44.4
928601167131	346	A+	28	44.4
928601167202	231	A+	25	60.7
928601167231	231	A+	25	60.7
928601167302	346	A+	24	39.0
928601167331	346	A+	24	39.0

Mechanical and Housing

order code	Bulb Finish
928601164602	Clear
928601164631	Clear
928601164702	Clear
928601164731	Clear
928601164802	Clear
928601164831	Clear
928601164902	Clear
928601167002	Clear
928601167031	Clear
928601167102	Clear
928601167131	Clear
928601167202	Clear
928601167231	Clear
928601167302	Clear
928601167331	Clear

Luminaire Design Requirements

order code	Bulb Temperature (Max)
928601164602	600
928601164631	600
928601164702	600
928601164731	600
928601164802	600
928601164831	600
928601164902	600
928601167002	350
928601167031	350
928601167102	350
928601167131	350
928601167202	350
928601167231	350
928601167302	350
928601167331	350



© 2016 Philips Lighting Holding B.V.
All rights reserved.

Specifications are subject to change without notice. Trademarks are the property of Koninklijke Philips N.V. (Royal Philips) or their respective owners.

www.philips.com/lighting

2016, March 21
data subject to change